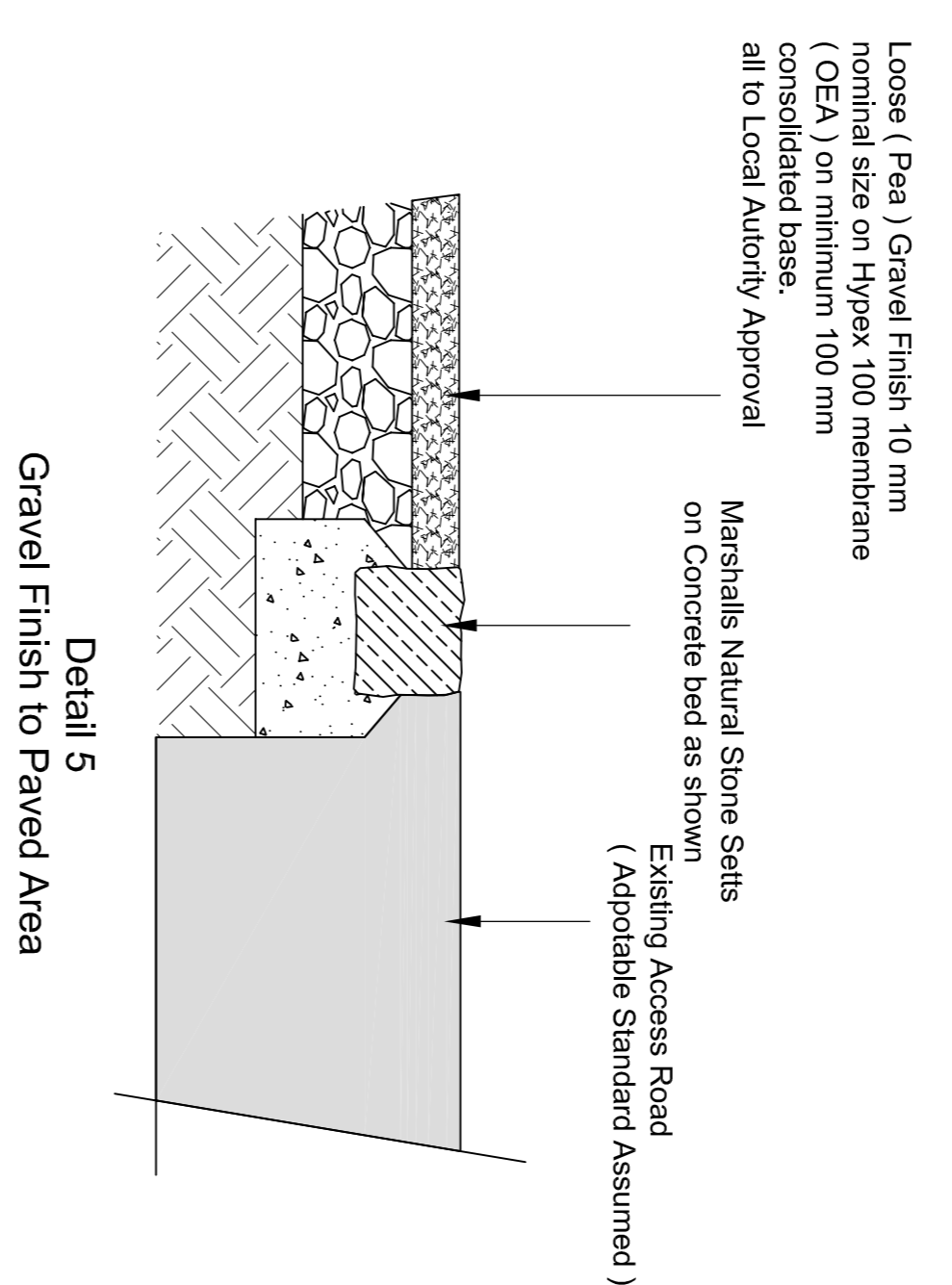


Detail 1
Paving Edge to Planting / Grassed Area

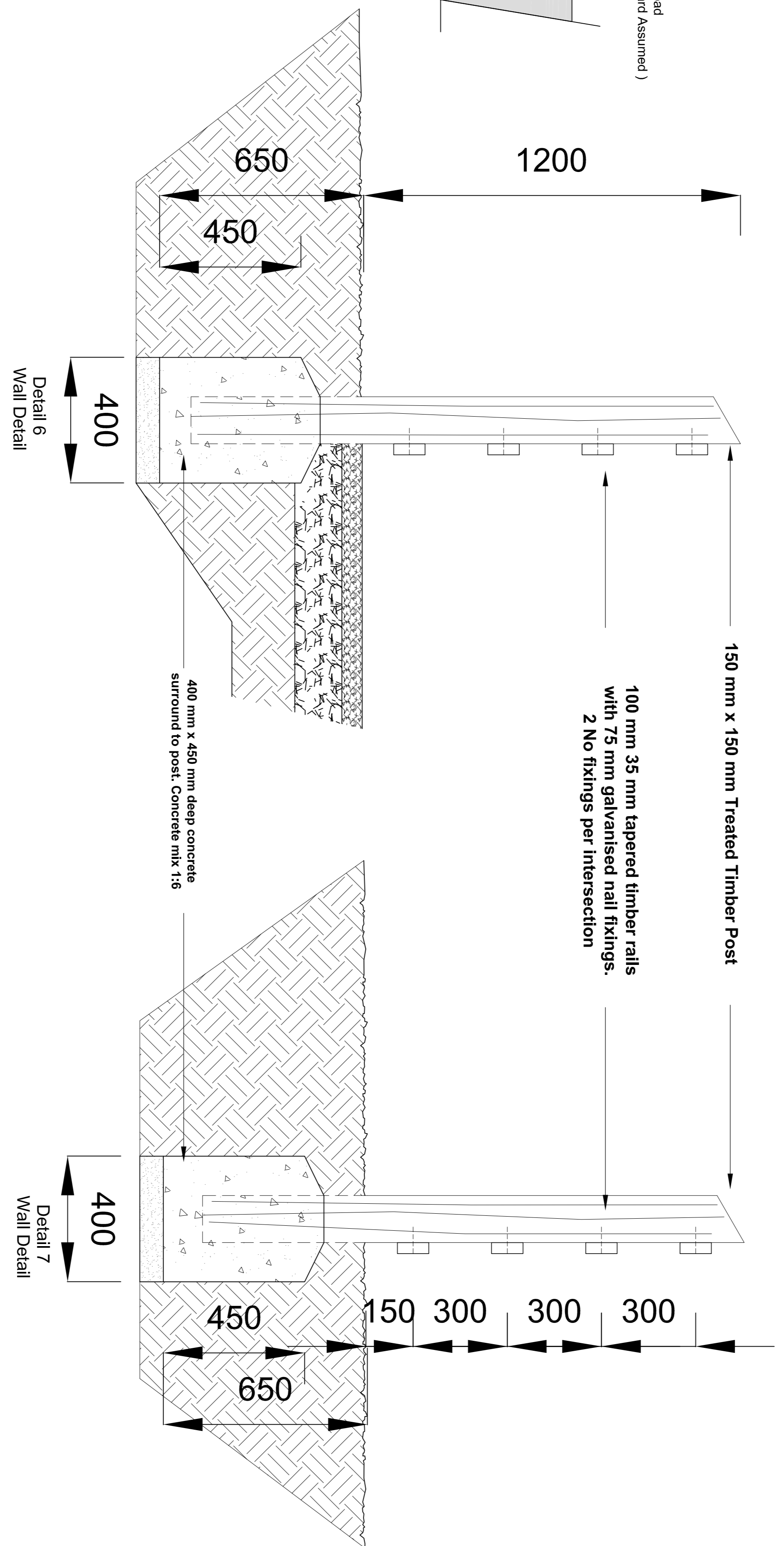
Detail 2
Gravel Finish to Planting / Grassed Area

Detail 3
Gravel Finish to Gravel Finish

Detail 4
Gravel Finish to Paved Area



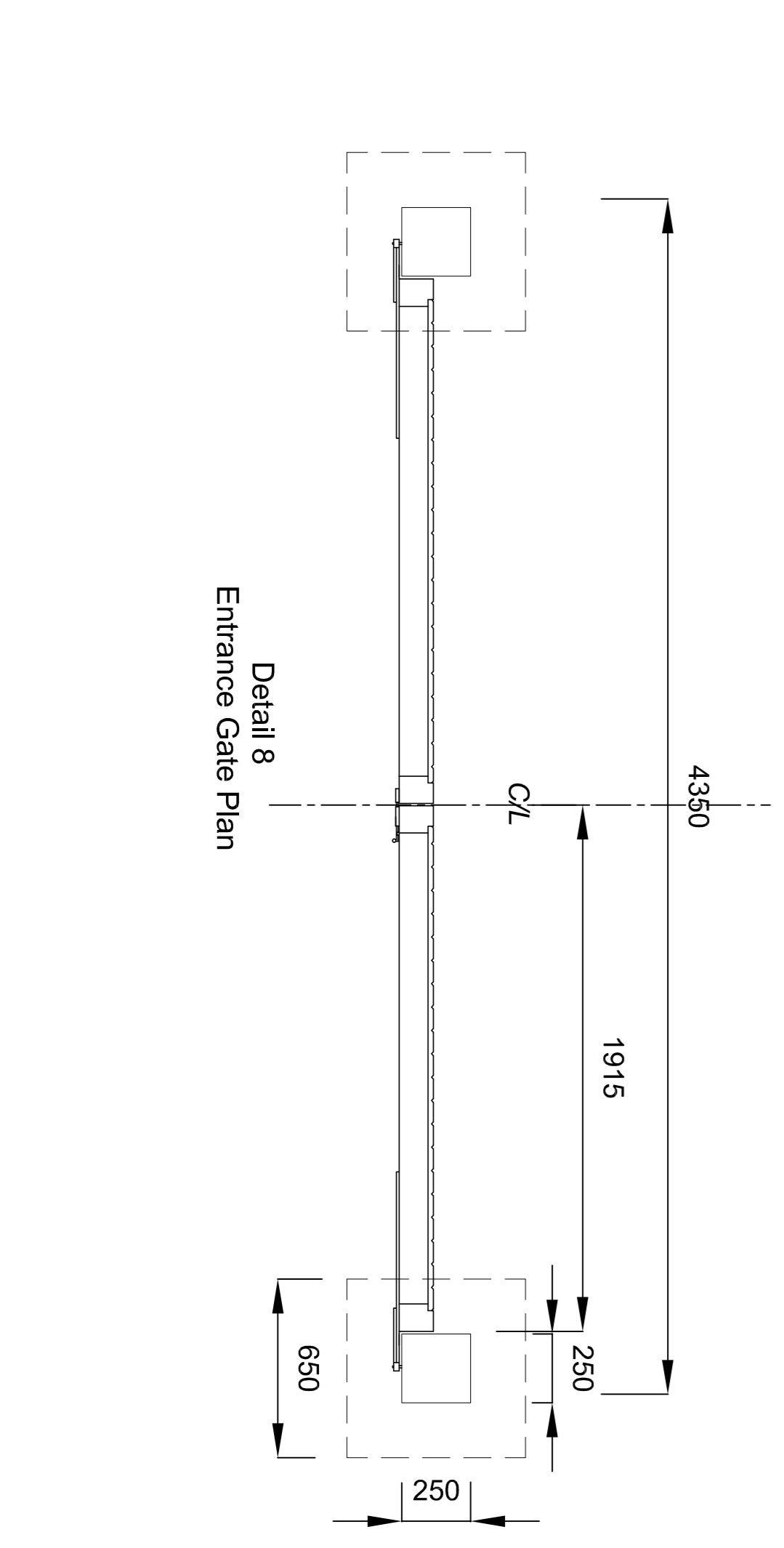
Detail 5
Gravel Finish to Paved Area



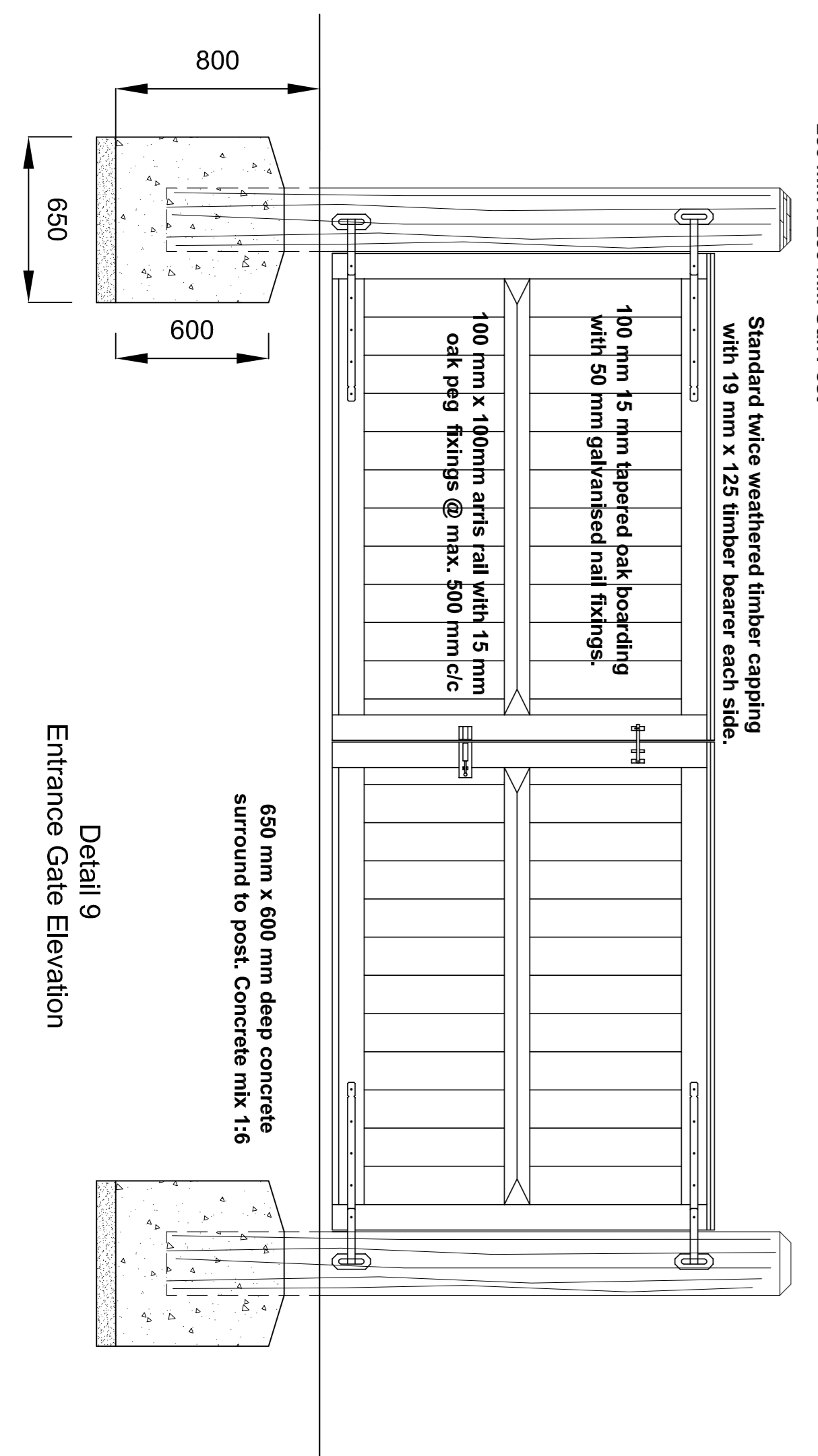
Detail 6
Wall Detail

Detail 7
Wall Detail

Detail 10
Entrance Gate Section



Detail 8
Entrance Gate Plan



Detail 9
Entrance Gate Elevation

NOTES
Written dimensions only are to be used from this drawing. If any doubt exist the contractor must ask for clarification. On no account must the contractor scale off this drawing. Contractors and sub-contractors must check and agree all dimensions before preparing workshop drawings or commencing work on site. Contractors are responsible for informing maps of any discrepancy discovered on this drawing or between this drawing and any other related documents issued in respect of the work. This drawing and the copyright and patents herein are the property of maps and may be used or reproduced only under the conditions set out herein. All work must be carried out in accordance with the current Building Regulations, Codes of Practice and British Standards. If any doubt exists the contractor must ask for clarification. The Construction Design and Management Regulations 2007: It is the responsibility of the client to instruct the appointment of a Construction Design Manager to prepare a Health & Safety Plan and submit the relevant information to the Health & Safety Executive if necessary.

A Boundary Amended To Post And Rail Fence		29-09-09
Client	Proposed New Dwelling At Gallaber Farm, Hellfield, Skipton, BD23 4HS	
Client	Grays Builders, Burley In Wharfedale, Ilkley, West Yorkshire, LS29 7QU.	
Drawing	Landscape Details	
Drawn	MDP	24 Ash Grove, Ilkley, West Yorkshire LS29 8EP
Scale	1:10 / 1:20 @A1	Tel: 07765 224 261
Date	12-08-09	Chartered Institute of Architectural Technologists
Job No	2009 - 11	Revision
Drawing No	601	A